

N D 0 1 Display Instruction Manual

V1.0

2017/7/7



N D 0 1 display is simple and beautiful as it adopts the scientific ergonomic curve design. The LED is not only clearly visible in the sunlight but also displayed with soft light under the night mode that makes riding safety.

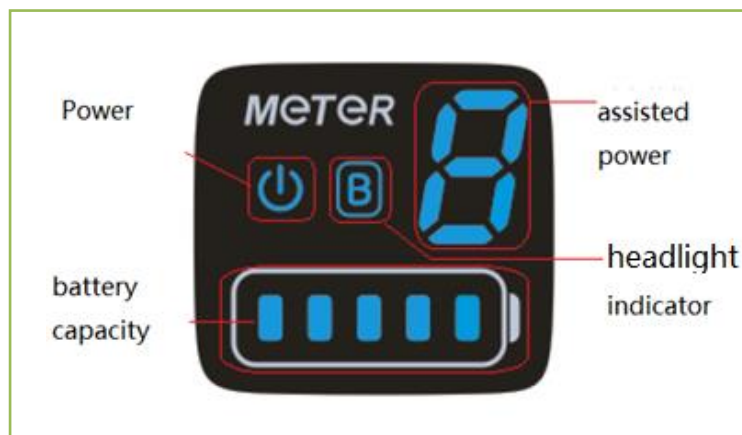
Preface

Dear users, to ensure better performance of your e-bike, please read through the LD803U product introduction carefully before using it.

Size (Unit: mm)



Description

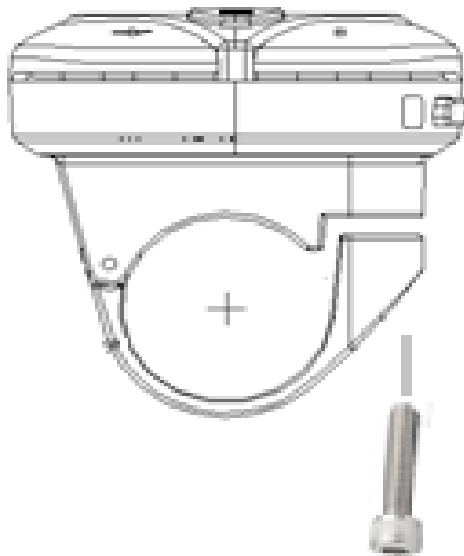


Model and Parameters ND01

- Five battery bars
- Nine assisted digital display
- USB mobile charging
- Support 232 or 485 bus mode
- Support voltage 24V、 36V、 48V

Installation Instruction

- 1、 Fix the display onto the handlebar and adjust to an appropriate visual angle.
- 2、 Fit the matching screws from the bottom.(manual operation is recommended)



- 3、 In the case the electric bicycle is powered off, match display connectors with controller connectors.

Button

There are four buttons on the display ,including the power/mode(M),up(+) ,down(-)and headlight switch (B) .

Normal Operation

On/Off

Power on : In the shutdown state, long press the (M) button, display begins to work for the controller power supply , after 3 seconds , the display will communicate with the controller normally.

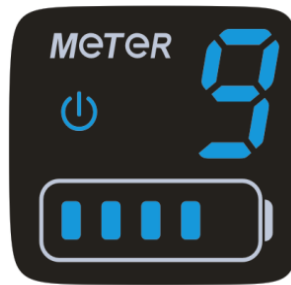
Power off : In the power on state, long press the (M) button to cut off the e-bike power supply. In the power off state, the display no longer uses the battery power supply, and the leakage current is smaller than 1uA.

Assisted Power Select

Short press the key (+) or key (-) to change the motor output power, the power ranges from level 0 to level 9, level 1 is the minimum power, level 5 is the maximum power. The default level is level 1.



Level 1



level 9

Power Assist Walk

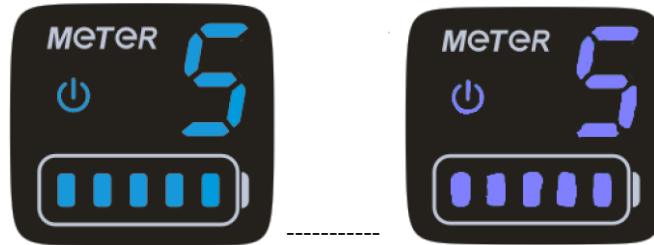
Hold the key (-) 2 seconds and enter into the mode of power assist walk. The e-bike will go on at a uniform speed of 6 KM/H, release the key (-) to stop the mode immediately.



ⓘ This function can only be used when the user is pushing the e-bike. Please don't use this function during riding.

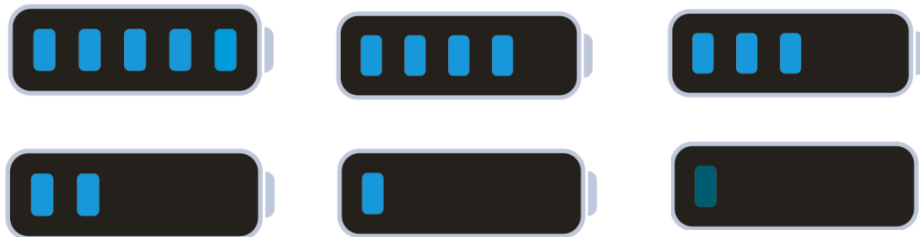
Turn on and Turn off the Headlight

Press the key (B) on the side to turn on the headlight, press the key again to turn off it and the screen is dimmed.



Capacity Display

When the battery capacity is high, the five battery segments are all light. When the battery is low voltage, the battery display frame will flash at the frequency of 1HZ. This indicates that the battery is severely low voltage and needs to be recharged immediately.



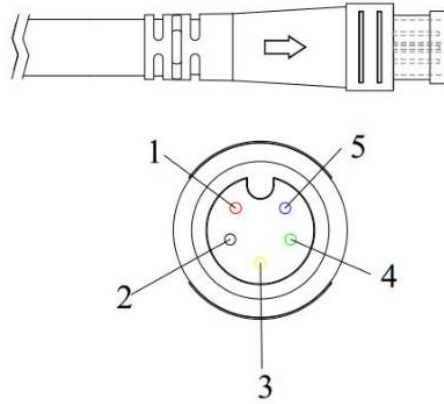
Malfunction Code Display

If there is something wrong with the electronic control system, the display will show the error code automatically. Only the malfunction is excluded, the display will be working normal again. In the meantime, you can't ride your e-bike continuously. The following are some definition of malfunction codes.

Malfunction Code	Definition	Solution
9	Communication abnormality	Check the display connector
1	Current abnormality	Check the three-phase power line
2	Throttle abnormality	Check the throttle
3	Motor open-phase	Check the three-phase power line
4	Motor hall signal abnormality	Check the motor hall connector
5	Brake abnormality	Check the brake

Wiring Diagram

The display is matched with 5-waterproof wire and the wire definitions are as below:



Number	Color	Function
1	red(VCC)	Power B+
2	black(GND)	Power B-
3	yellow(TX、 B)	232: TX、 485: B
4	green(RX、 A)	232: RX 、 485: A
5	blue(K)	Lock

Note: Users cannot see the color of the internal wiring because of the water proof connector.